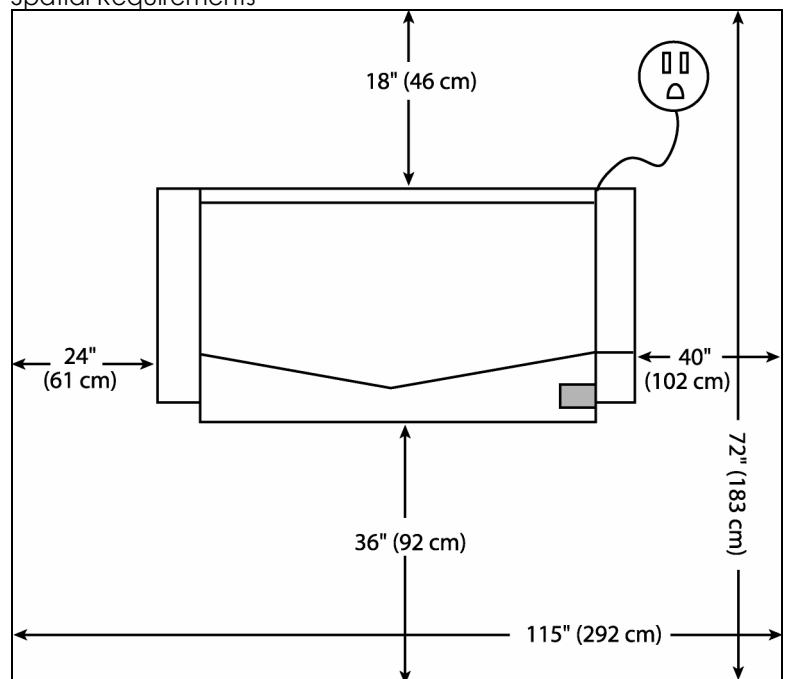


# 1900 Analog Copier Installation



Space, Electrical, and Environmental Requirements	
Weight	275 lbs (125 kg)
Dimensions	51" (W) x 18" (D) x 41" (H) 129 cm x 46 cm x 104 cm
Minimum Distance from Wall	
rear	18" (46 cm)
left	24" (61 cm)
right	40" (102 cm)
front	36" (92 cm)
Total Space	115" (W) x 72" (D) 292 cm x 198 cm
Electrical (Dedicated)	15 amps, 120VAC
Electrical Receptacle	Nema 5-15R
Power Consumption (watts)	
running	1450 W
standby	480 W
Heat Emission (BTU/hr.)	
running	4952 Btu
standby	1649 Btu
Room Temperature Range	65-85° (18-29°C)
Room Humidity Range	20-80%

## Spatial Requirements



Top View, Not to Scale.